
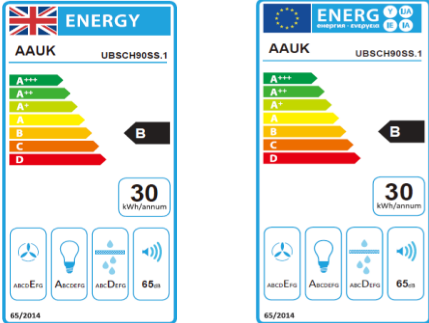


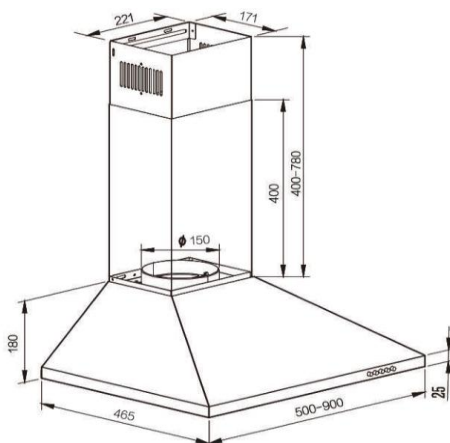
Appliance Data Sheet

Product Type	Cooker Hood
Product Code	UBSCH90SS.1
	Product Description
	90cm Stainless Steel Chimney Hood
	

Features / Specification

Barcode	8422248618748
Colour	Stainless Steel
Hood Width	900mm
Fan Speeds	3
Extraction Rate (EU66)	361.9m ³ /h
Lights	1 x 1.5W LED Lamp
Grease Filter	3 x Aluminium Filters
Controls	Push Buttons
Noise Level	65 dB (A)
Carbon Filters	2 x SCF2
Air Outlet Diameter	150mm
Motor Rating	220-240V - 50Hz - 65W
Chimney Dimensions	400mm + 400mm x 221mm x 171mm

Dimensions & Technical Information



Product Dimensions (WxDxH)	900 x 465 x 580/960 mm
Packed Dimensions (WxDxH)	950 x 245 x 520mm
Product Weight	10 kg Packed / 9kg Unpacked
Max Power	66.5W
Cable / Plug	1.5m / Hardwired
Supply Connection	3A